

# CHEVRON

# Chevron. Solid 16 or 21 mm

## General information

This document is representing information about the Chevron Parquet produced engineered 14/4 mm wood flooring boards.

## Product of use

This floor is for indoor use only and may be installed:

- with nail down, staple, screw or glue down installation methods,
- over plywood or OSB subfloor or glued down directly over concrete,

This floor should NOT be installed:

- in bathrooms
- below grade level
- other rooms with excessive moisture

Use of this product in any of these applications will void the product warranty.

## Packaging

Boards comes in sealed, shrinked plastic, packages with carton strip around the boards.

Normal volume in each package are 0.8-1.0 square meters.

Number of chevron boards in each package are depending on the dimension of the boards.

Contact us for more information about your specific order.

## Underfloor heating

Suitable for underfloor heating

For more information and instructions see separate documentation for installing recommendations.

## Environment and climate

Suitable for underfloor heating

For more information and instructions see separate documentation for installing recommendations.

## Moisture

Suitable for underfloor heating

For more information and instructions see separate documentation for installing recommendations.

# Chevron. Solid 16 or 21 mm

## Technical information

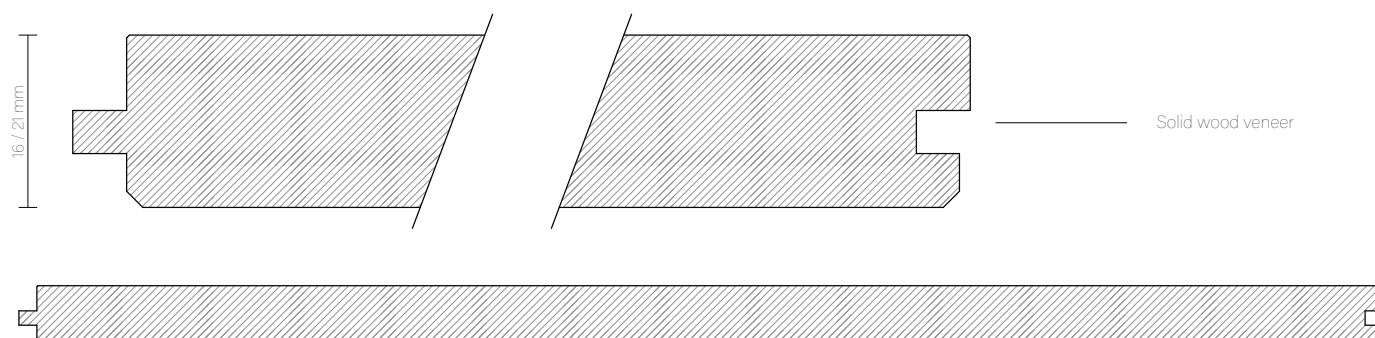
### Quality standards

As a natural product, wooden flooring boards always has variations in colour, texture and appearance and other visual imperfections. Engineered multilayer parquet elements are produced in accordance with European standard EN 13489. Solid boards are produced according to the European standard EN 13629.

Wood species:	European Oak
Thickness:	16 mm or 21 mm
Length:	According to the product type mm +/- 0,2% of length
Width:	According to the product type mm +/- 0,3% of Width
Wear layer:	Solid wood, 16 or 21 mm +/- 0,2 mm
Profile:	Tongue and groove all four sides, microbevel 4 sides
Bevel:	4 sides, 0,5 mm (or no bevel)
Moisture content:	8 % +/- 1 %
Angle:	From 45 to 90 degrees +/- 0,1 degree

## Construction

Solid. 16 or 21 mm



## Dimensions

Custom dimensions are available upon request.  
Please contact us on [info@chevronparquet.com](mailto:info@chevronparquet.com) for more information.

	Width	Length
Oak	70 mm	420 mm
	90 mm	610 mm

# Chevron. Solid 16 or 21 mm

## Technical information

### Characteristics

*Images are only indicative*

#### Premium.

Homogenous, calm and subtle expression and color with less knots.



#### Nature.

Natural and dynamic expression and color with more knots and color variation.



#### Classic.

Authentic and lively expression with more color variation and larger knots.

